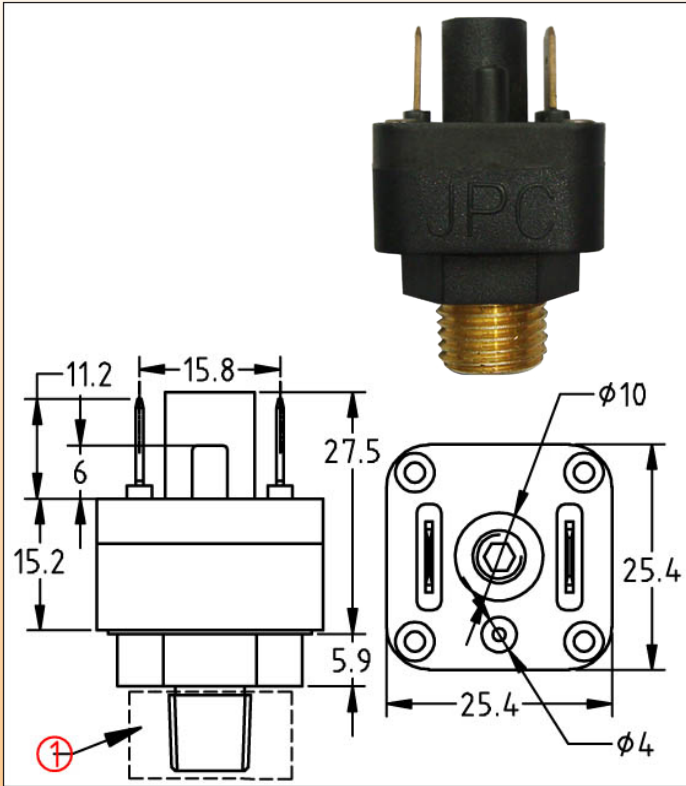


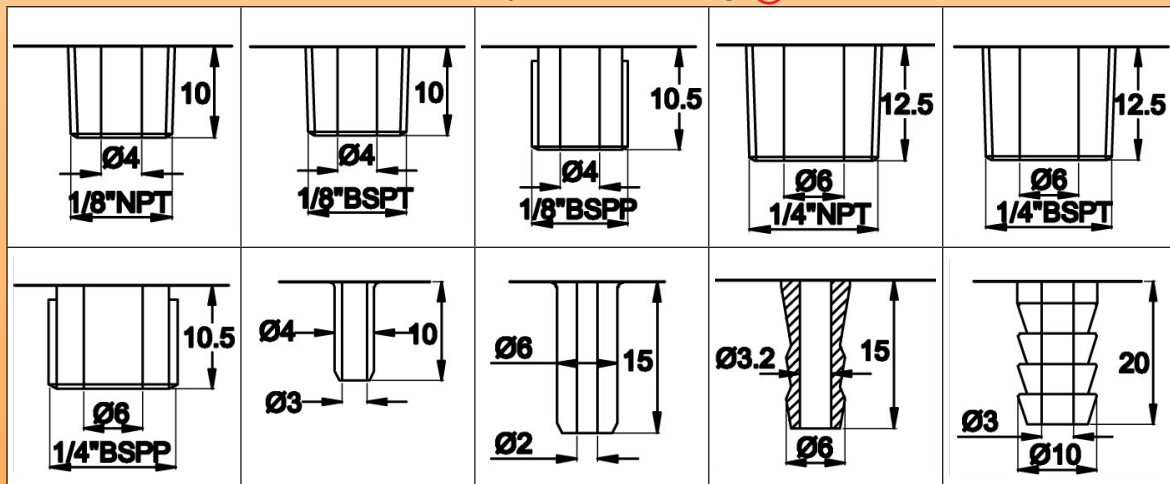
# Slow action contact miniature vacuum switch, 6.35 x 0.8 mm terminals, metal fitting SPNC contact : Type ZF

## DIMENSIONS



**Uses:** Low voltage, high sensitivity  
**Main applications:** Electronic printed circuit. This vacuum switch is more sensible than snap action models and can be calibrated at lower pressure values. Very small differential.  
**Membranes:** EPDM, dia 22 mm. Silicone or NBR on request  
**Fluid:** air or water  
**Fitting:** Brass (stainless steel on request)  
**Pressure:** negative (Vacuum)  
**Housing:** PA66, UL94 VO  
**Contact:** single pole normally closed at atmospheric pressure, slow break.  
**Electrical rating:**  
 - Silver contact: max 1A 250V  
 - Gold plated contact: max 100 mA, 24V  
**Action:** momentary, open on vacuum increase (=decrease of absolute pressure).  
**Set point calibration:** factory calibrated and sealed, not field adjustable  
**Set point calibration limits (relative pressure):** standard calibration minus 50mbar, other values are achievable from minus 20 to minus 200 mbar  
**Electrical connection:** two 6.35 x 0.8 mm quick connect terminals  
**Maximum pressure:** 2 bars (29 PSI)  
**Maximum vacuum:** minus 500 mbar (relative pressure)  
**Ambient temperature limits:** 0 to 85°C

### Available pressure inlet fittings ①



### References ( with calibration at minus 50 mbar and brass fitting):

Pressure inlet	Silver contact	Gold plated contact
1/8" NPT	ZF2X1REA05000000	ZF2X1REG05000000
1/8" BSPT	ZF2X1PEA05000000	ZF2X1PEG05000000
1/8" BSPP	ZF2X1LEA05000000	ZF2X1LEG05000000
1/4" NPT	ZF2X1CEA05000000	ZF2X1CEG05000000
1/4" BSPT	ZF2X1SEA05000000	ZF2X1SEG05000000
1/4" BSPP	ZF2X12EA05000000	ZF2X12EG05000000
Smooth spout dia 4 mm	ZF2X13EA05000000	ZF2X13EG05000000
Spout dia 6 mm	ZF2X17EA05000000	ZF2X17EG05000000
Fluted spout dia 6 mm	ZF2X1JEA05000000	ZF2X1JEG05000000
Barbed spout dia 10 mm	ZF2X19EA05000000	ZF2X19EG05000000

Other set point values: replace 050 in the product reference by the requested value in mbar

